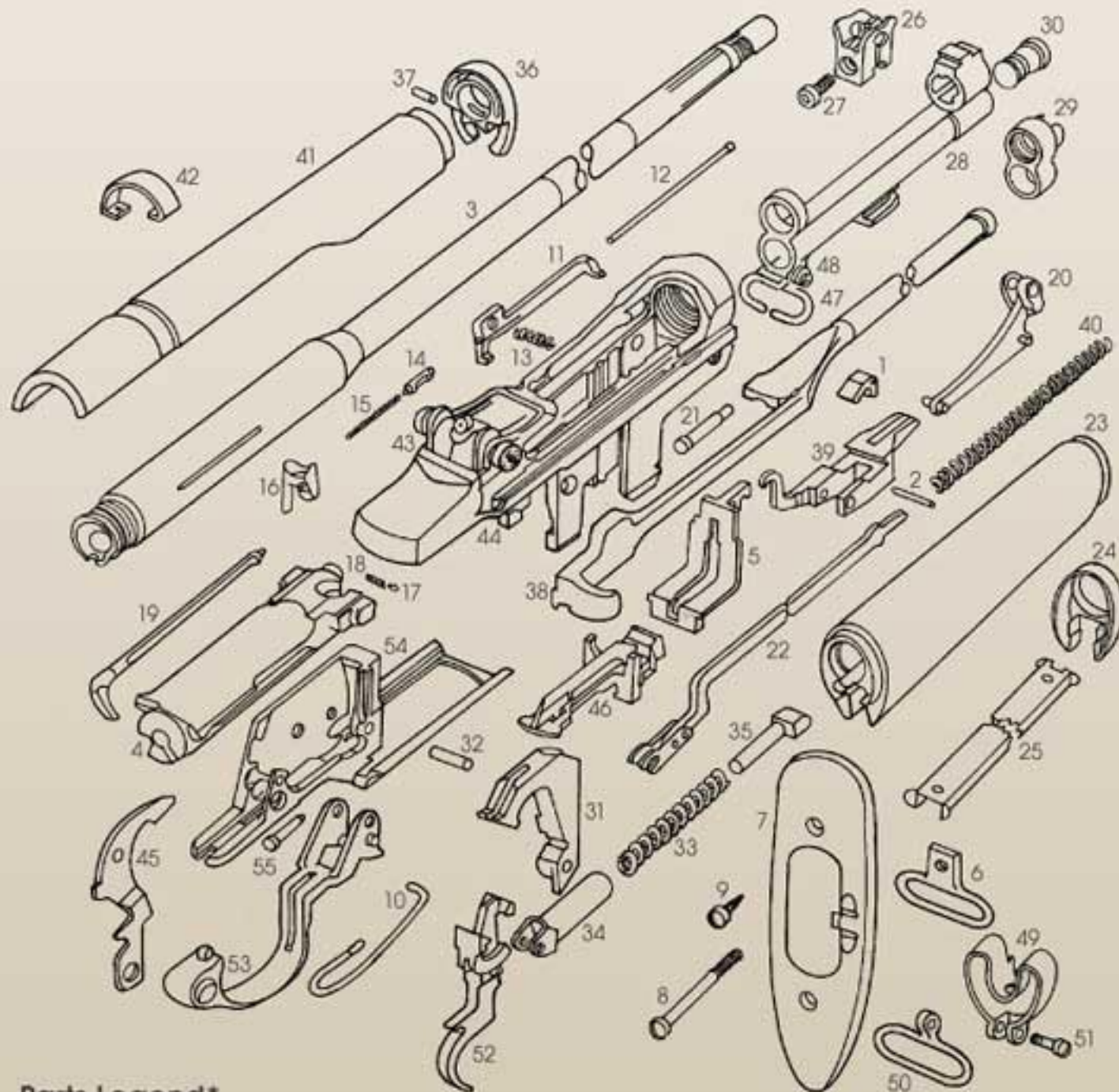


# U.S. Rifle, Cal. .30, M1 "Garand"



- 16. Extractor
  - 17. Extractor plunger
  - 18. Extractor spring
  - 19. Firing pin
  - 20. Follower arm
  - 21. Follower arm pin
  - 22. Follower rod
  - 23. Front handguard
  - 24. Front handguard ferrule
  - 25. Front handguard spacer
  - 26. Front sight
  - 27. Front sight screw
  - 28. Gas cylinder
  - 29. Gas cylinder lock
  - 30. Gas cylinder lock screw
  - 31. Hammer
  - 32. Hammer pin
  - 33. Hammer spring
  - 34. Hammer spring housing
  - 35. Hammer spring plunger
  - 36. Lower band
  - 37. Lower band pin
  - 38. Operating rod
  - 39. Operating rod catch
  - 40. Operating rod spring
  - 41. Rear handguard
  - 42. Rear handguard band
  - 43. Rear sight assembly
  - 44. Receiver
  - 45. Safety
  - 46. Slide and follower
  - 47. Stacking swivel
  - 48. Stacking swivel screw
  - 49. Stock ferrule
  - 50. Stock ferrule swivel
  - 51. Stock ferrule swivel screw
  - 52. Trigger
  - 53. Trigger guard
  - 54. Trigger housing
  - 55. Trigger pin
- \*Buttstock and sling not shown

## Parts Legend\*

- 1. Accelerator
- 2. Accelerator pin
- 3. Barrel
- 4. Bolt
- 5. Bullet guide
- 6. Butt swivel
- 7. Buttplate
- 8. Buttplate screw, long
- 9. Buttplate screw, short
- 10. Clip ejector
- 11. Clip latch
- 12. Clip latch pin
- 13. Clip latch spring
- 14. Ejector
- 15. Ejector Spring